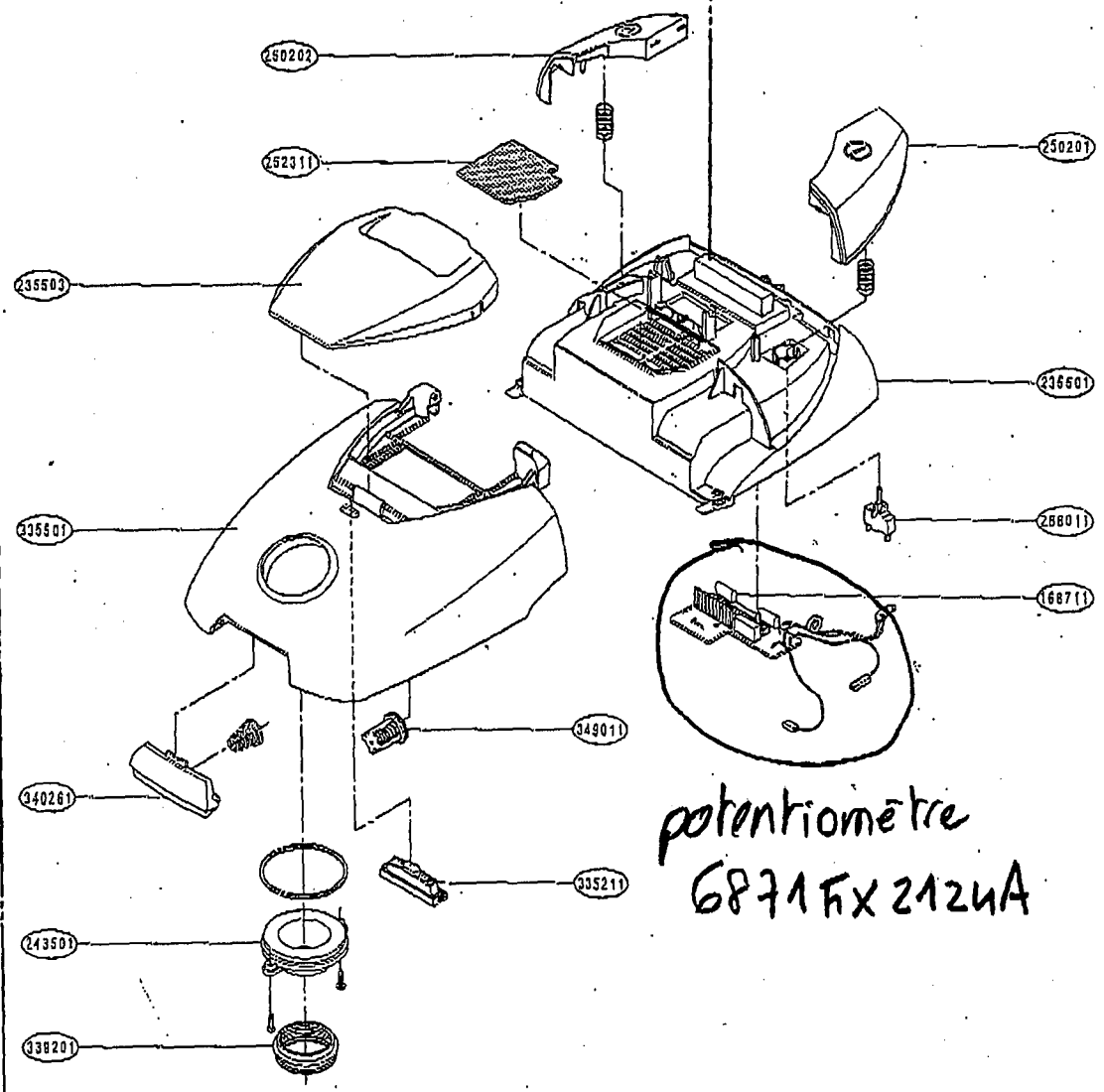
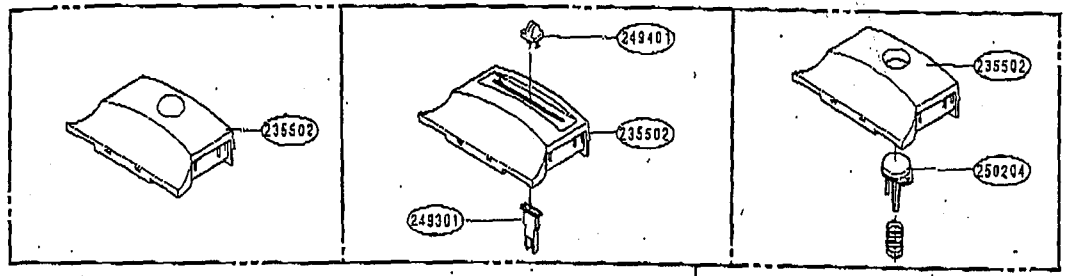


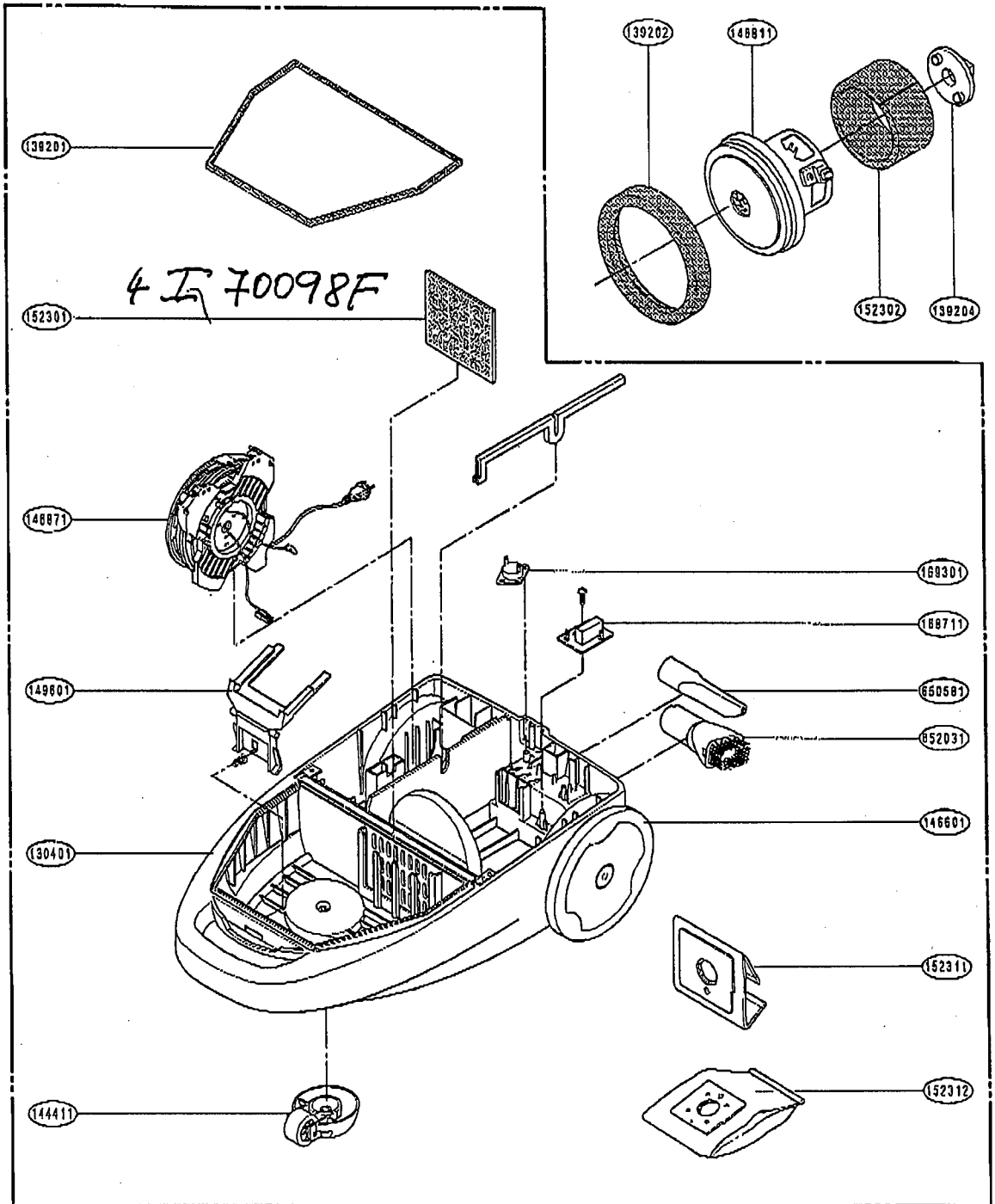
MODEL LG VC 3440 STP / 3441 STP
 Factory model V-L 3440 ST
 Suffix ANVQLFS

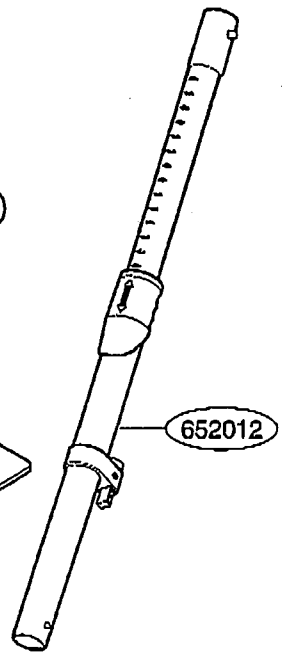
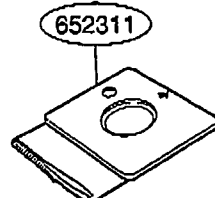
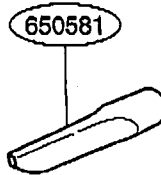
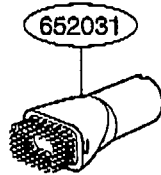
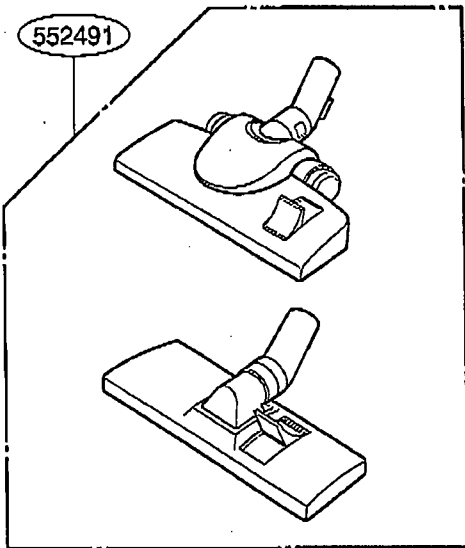
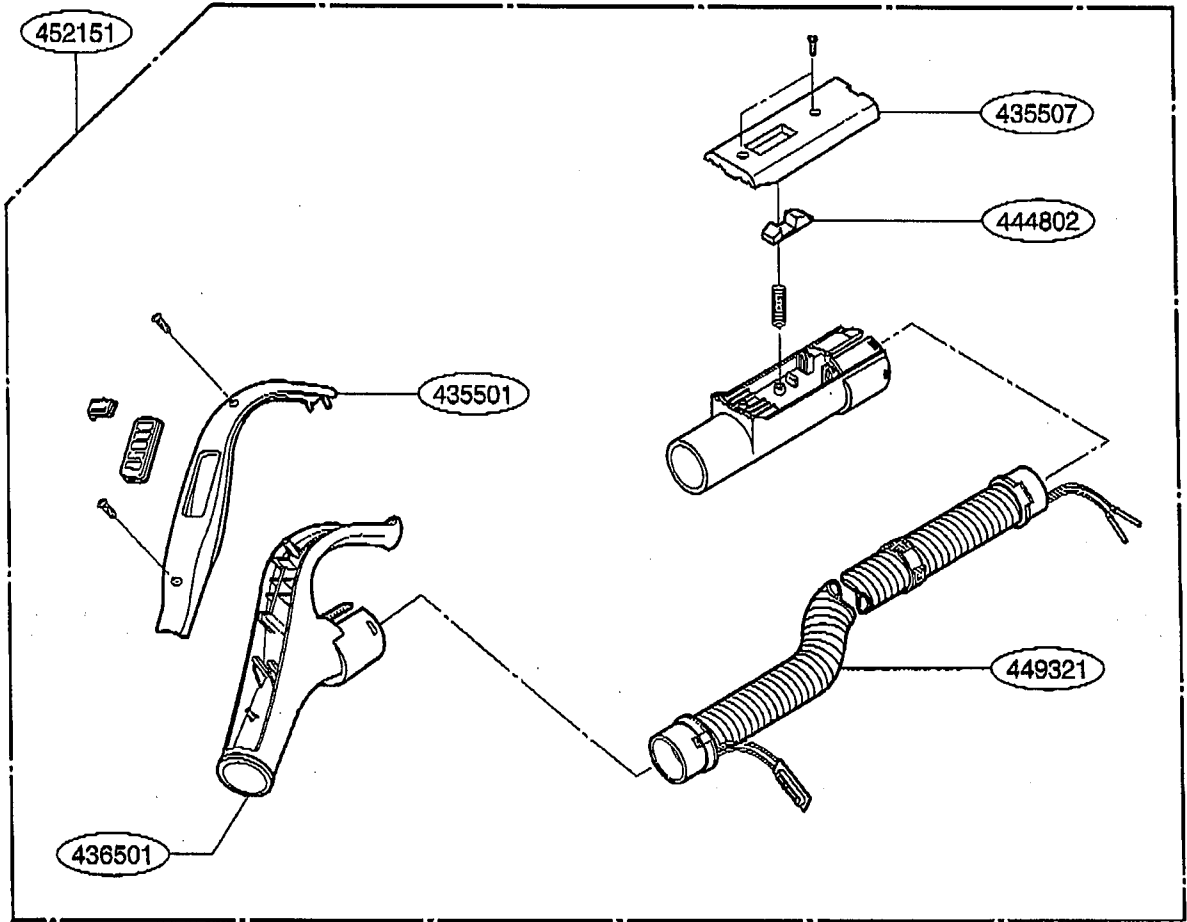
VER ASSEMBLY, BODY



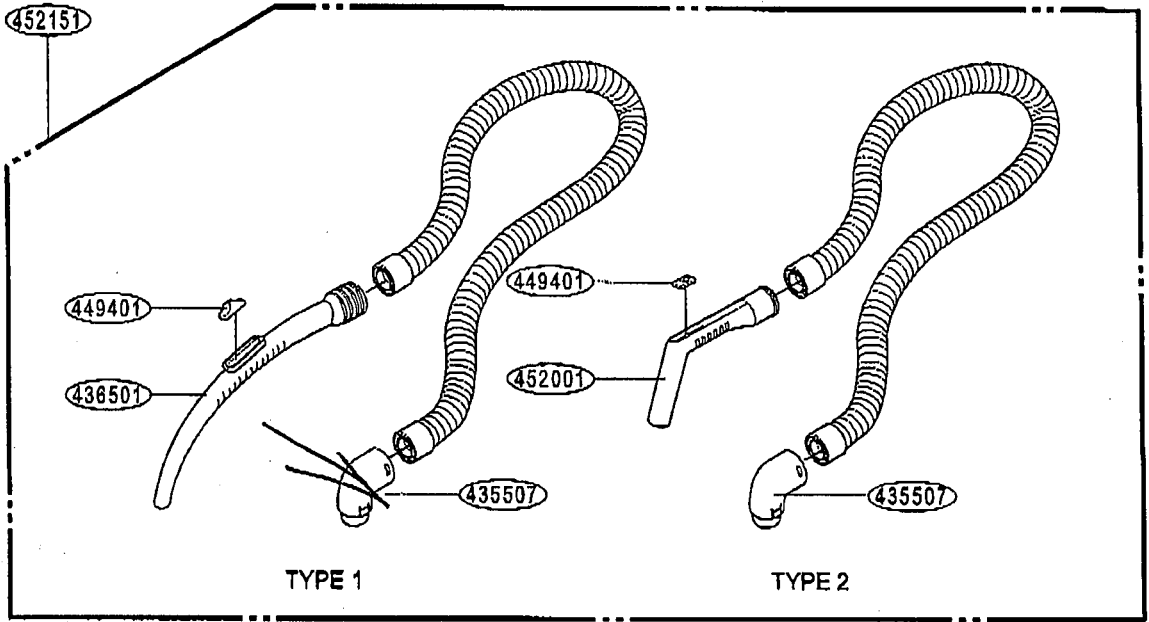
EXPLODED VIEW

BASE ASSEMBLY, BODY

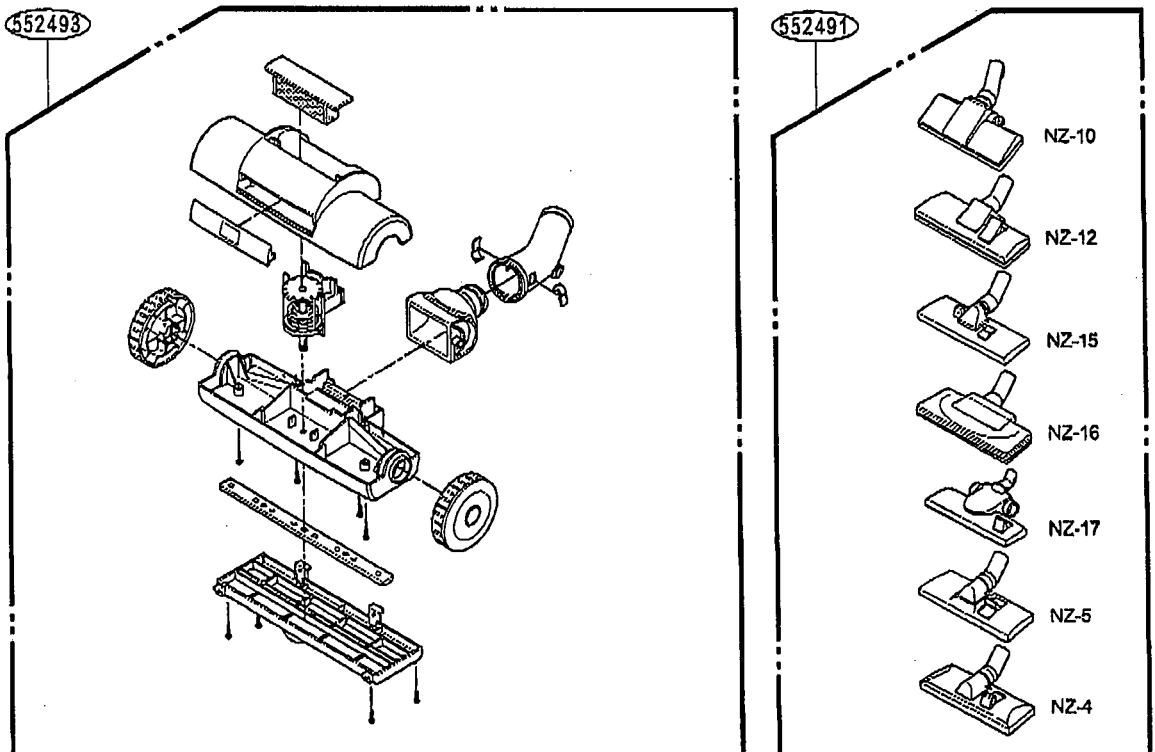




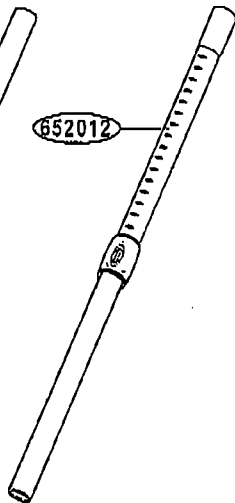
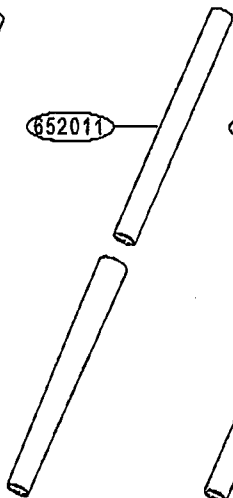
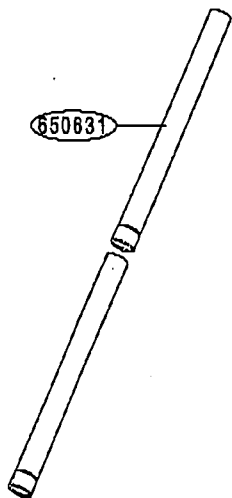
HOSE ASSEMBLY, FLEXIBLE



NOZZLE ASSEMBLY



ACCESSORIES



REPLACEMENT PARTS LIST

LOCATION NO.	PART NO.	DESCRIPTION	REMARK
130401	3040FI111D	BODY BASE	
135502	3550FI1113D	FRONT COVER	
139201	3920FI1115A	PACKING, DUST SEAL	
139202	3920FI3302A	MOTOR MOUNT PACKING	
139206	3920FI3728A	PACKING, TERMINAL	
144411	4441FI3605J	CASTER ASSY	
144801	3I23004B	HOOK, FILTER SETTING	
146601	3660FI1114D	WHEEL	
146811	4681FI2373D	MOTOR ASSY	VMC500E5
146871	6411FI1071L	CORD REEL ASSY	C-2
146871	6411FI1071M	CORD REEL ASSY	C-1
152302	4I22064D	PACKING ABSORBING	
149801	4980FI3702A	SUPPORTER, MOTOR	
139204	3920FI3746A	PACKING, SEAL	
152311	5231FI3018B	FILTER BAG	PAPER FILTER
152312	5231FI2445A	FILTER BAG	CLOTH, ZIPPER
152301	5230FI3248A	MOTOR SAFETY FILTER	
168711	6871FX2116A	PWB ASSY	
235501	3550FI1110N	COVER, BODY	
236501	3650FI2132Q	HANDLE	RED
236501	3650FI2132N	HANDLE	BLUE
250202	5020FI3233N	BUTTON, CORD REEL	
335211	3I23019Q	INDICATOR ASSY	
335501	3550FI1154M	COVER, FILTER	RED
335501	3550FI1154K	COVER, FILTER	BLUE
335506	3550FI3307G	COVER, INDICATOR	
340261	4026FI3234A	LATCH	
435501	3550FI1377X	COVER, GRIP HANDLE	BLUE
435501	3550FI1511B	COVER, GRIP HANDLE	RED
435507	3550FI2358F	COVER, FITTING PIPE	
444802	3I23013P	HOOK, FITTING	
436501	3650FI1430C	GRIP HANDLE	
449321	4932FI2360C	HOSE CONECTOR ASSY	BLUE
449321	4932FI2360D	HOSE CONECTOR ASSY	RED
452151	5214FI1456C	FLEXIBLE HOSE ASSY	BLUE
452151	5214FI1456D	FLEXIBLE HOSE ASSY	BLE
452151	5214FI1456E	FLEXIBLE HOSE ASSY	RED
552491	5249FI1389B	NOZZLE ASSY	NZ-17
552491	5249FI2182A	NOZZLE ASSY	NZ-5
552493	5249FI1390H	NOZZLE ASSY, QUILT	
552493	5249FI1390N	NOZZLE ASSY, QUILT	
552493	5249FI1390P	NOZZLE ASSY, QUILT	
652012	5201FI2335D	TELESCOPIC PIPE ASSY	ALUMINIUM
652012	5201FI2438B	TELESCOPIC PIPE ASSY	STEEL
650581	5058FI3462A	TOOL, CREVICE	
652031	5202FI3474A	DUST, BRUSH	
652481	5248FI2259A	NOZZLE, UPHOLSTERY	

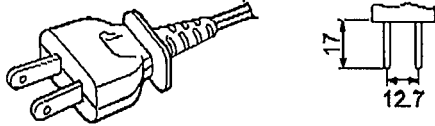
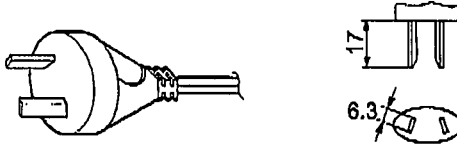

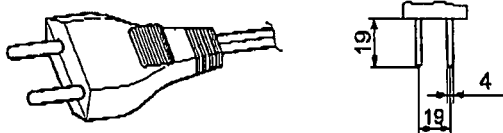
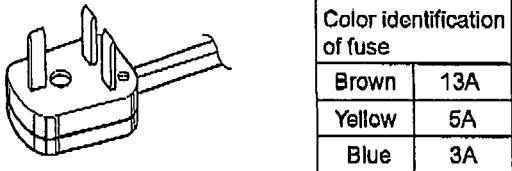
REPLACEMENT PARTS LIST

LOCATION NO.	DESCRIPTION	PART NO.	APPLICATION	REMARKS
130401	BASE, BODY	3040FI1482A		WARM GRAY
146601	WHEEL	4660FI2404A		WARM GRAY
144411	CASTER ASS'Y	4441FI3605T		WARM GRAY
149601	MOUNT, BAG	4960FI2321A		SILVER GRAY
152312	FILTER ASS'Y, CLOTH	5231FI2443A	OPTION	CLOTH
152311	FILTER ASS'Y, PAPER	5231FI3760A	OPTION	PAPER
152301	FILTER(MECH), MOTOR SAFETY	4170098F		
139201	PACKING, DUST SEAL	3920FI4718K		
650581	TOOL, CREVICE	3121007N		BLACK
652031	BRUSH ASS'Y, DUST	3120011E		BLACK
169301	THERMOSTAT ASS'Y	6931FI3523B		
168711	CAPACITOR ASS'Y	6121FI4311P	V-C3440NB/ND/NT/NBV/ NDV/NTVV-C3443NDV	
146811	MOTOR ASS'Y, VC	Refer To Appendix		
139202	PACKING, MOTOR MOUNTING	3920FI3675A		
139204	PACKING, SEAL	3920FI4653B		
152302	PACKING, ABSORBING	4123008B		
235501	COVER, BODY	3550FI1541A		WARM GRAY
266011	SWITCH ASS'Y, PUSH	6601FI3149B		
249301	HOLDER, SLIDE	4930FI3776A		BLACK
250201	BUTTON, POWER SWITCH	Refer To Appendix		
250202	BUTTON, CORD REEL	Refer To Appendix		
235503	COVER, EXHAUST FILTER	Refer To Appendix		
335501	COVER, FILTER	Refer To Appendix		
340261	LATCH	Refer To Appendix		
243501	CONNECTOR (MECH), RING	Refer To Appendix		
235502	COVER, CONTROL	Refer To Appendix		
249401	KNOB, SLIDE	Refer To Appendix		
250204	BUTTON, CONTROL	Refer To Appendix		

LOCATION NO.	DESCRIPTION	PART NO.	APPLICATION	REMARKS
146871	CORD REEL ASS'Y	Refer To Appendix		
252311	FILTER(MECH), EXHAUST	5230FI4725A	OPTION	PU-ESTER
		5230FI4726A		3 LAYERS
349011	DAMPER ASS'Y	4970FI3001Y		
335211	INDICATOR ASS'Y	3521FI3699A		
339201	PACKING, FILTER	3920FI3734A		
452151	HOSE ASS'Y, FLEXIBLE	5215FI1248A	OPTION	TYPE 1
		5215FI1306A		TYPE 2
452001	HANDLE, GRIP	3650FI2275A		TYPE 1
436501	HANDLE, GRIP	3650FI1471A		TYPE 2
449401	KNOB, SLIDE	4940FI4292B		TYPE 1
	KNOB, SLIDE	4940FI3723A		TYPE 2
435507	PIPE, FITTING	5200FI2269A		TYPE 1, 2
552491	NOZZLE ASS'Y, FLOOR	5249FI2253A	"OPTION (With 2 Step Steel or Telescopic Pipe)"	NZ-10
		5249FI2393A		NZ-12
		5249FI1387A		NZ-15
		5249FI1388A		NZ-16
		5249FI1389A		NZ-17
		5249FI2182A		NZ-5
		112001F	OPTION(Only with Plastic Pipe)	NZ-4
552493	NOZZLE ASS'Y, QUILT	5249FI1390C	OPTION	BLACK
		5249FI1390E		BLUE+BLACK
650631	WAND ASS'Y	6063FI2291A	V-C3440NB/NBV/SB/SBV V-C3460NB/NBV	2 STEP PLASTIC (Used Type 1)
652011	PIPE ASS'Y, STEEL	5201FI2324A	V-C3440ND/NDV/SD/SDV V-C3460ND/NDV, V-C3443NDV	2 STEP STEEL (Used Type 1, 2)
652012	PIPE ASS'Y, TELESCOPIC	5201FI2443E	V-C3440NT/NTV/ST/STV	Used Type 1
		5201FI2443F	V-C3460NT/NTV, V-C3445STV	Used Type 2
652481	NOZZLE ASS'Y, UPHOLSTERY	5249FI3691A	OPTION	BLACK

APPENDIX

1. THE TYPE OF POWER PLUG AND PARTS NUMBER

TYPE	TYPE OF PLUG	CORD REEL ASS'Y P/NO (L/NO.:146871)	APPLICATION								
A-1		4687F11465L	PUSH ON/OFF TYPE								
		4687F11465M	SLIDE CONTROL TYPE BOOSTER TYPE								
S-1		4687F11465N	PUSH ON/OFF TYPE								
		4687F11465Q	PUSH ON/OFF TYPE (ARGENTINA)								
		4687F11465P	SLIDE CONTROL TYPE BOOSTER TYPE								
		4687F11465R	SLIDE CONTROL TYPE BOOSTER TYPE(ARGENTINA)								
C-2		4687F11465C	PUSH ON/OFF TYPE								
		4687F11465H	SLIDE CONTROL TYPE BOOSTER TYPE								
C-1		4687F11465J	PUSH ON/OFF TYPE								
		4687F11465E	PUSH ON/OFF TYPE (CHILE)								
		4687F11465K	SLIDE CONTROL TYPE BOOSTER TYPE								
		4687F11465F	SLIDE CONTROL TYPE BOOSTER TYPE(CHILE)								
B-3	 <table border="1" data-bbox="503 1221 700 1396"> <thead> <tr> <th colspan="2">Color identification of fuse</th> </tr> </thead> <tbody> <tr> <td>Brown</td> <td>13A</td> </tr> <tr> <td>Yellow</td> <td>5A</td> </tr> <tr> <td>Blue</td> <td>3A</td> </tr> </tbody> </table>	Color identification of fuse		Brown	13A	Yellow	5A	Blue	3A	4687F11465S	PUSH ON/OFF TYPE
		Color identification of fuse									
Brown	13A										
Yellow	5A										
Blue	3A										
4687F11465T	SLIDE CONTROL TYPE BOOSTER TYPE										

2. COLOR AND PARTS NUMBER

LOCATION NO.	COLOR		Black (#9082)	Carnival Red (#45493)	Royal Blue (#66152B)
	DESCRIPTION				
250201	BUTTON, POWER SWITCH		5020FI2327A	5020FI2327B	5020FI2327C
250202	BUTTON, CORD REEL		5020FI2328A	5020FI2328B	5020FI2328C
235503	COVER, EXHAUST FILTER			3550FI2494D	3550FI2494C
335501	COVER, FILTER		3550FI1542A	3550FI1542B	3550FI1542C
340261	LATCH		4026FI3667A	4026FI3667B	4026FI3667C
243501	CONNECTOR (MECH), RING		4932FI3208A	4932FI3208B	4932FI3208C
235502	COVER, CONTROL	FIG.1	3550FI2495B	3550FI2495F	3550FI2495C
		FIG.2	3550FI2493A	3550FI2493B	
		FIG.3		3550FI2495G	3550FI2495D
249401	KNOB, SLIDE		4940FI3726A	4940FI3726B	
250204	BUTTON, CONTROL			5020FI3763B	5020FI3763C

LOCATION NO.	COLOR		Metal Silver (A/T-2720)	Metal Black (A/T-2843)	Metal C/Red (A/T-2841)
	DESCRIPTION				
250201	BUTTON, POWER SWITCH			5020FI2327D	5020FI2327E
250202	BUTTON, CORD REEL			5020FI2328D	5020FI2328E
235503	COVER, EXHAUST FILTER		3550FI2494F		
335501	COVER, FILTER			3550FI1542D	3550FI1542E
340261	LATCH				
243501	CONNECTOR (MECH), RING				
235502	COVER, CONTROL	FIG.1			3550FI2495E
		FIG.2		3550FI2493C	
		FIG.3			
249401	KNOB, SLIDE				
250204	BUTTON, CONTROL				

3. MOTOR AND P.W.B ASS'Y PARTS NUMBER

L/NO.	DESCRIPTION	220V/50Hz	220V/50Hz
168711	PWB(PCB) ASS'Y, MAIN	6871FX2124B	6871FX2126B
146811	MOTOR ASS'Y, VC	4681FI2373B	4681FI2450A
		VMC-500E1	
APPLICATION		V-C3440SB/SD/ST/ SBV/SDV/STV	V-C3460NB/ND/NT NBV/NDV/NTV

L/NO.	DESCRIPTION	230V/50Hz	230V/50Hz
168711	PWB(PCB) ASS'Y, MAIN	6871FX2124A	6871FX2126A
146811	MOTOR ASS'Y, VC	4681FI2373D	4681FI2450B
		VMC-500E5	
APPLICATION		V-C3440SB/SD/ST/ SBV/SDV/STV-V-C3445STV	V-C3460NB/ND/NT NBV/NDV/NTV